

- Notes
- All dimensions are in millimetres
 - The reinforcement bars are square twisted high tensile steel bars
 - B1** - Bottom one (First bottom layer)
 - B2** - Bottom two (Second bottom layer)
 - T1** - Top one (First top layer)
 - T2** - Top two (Second top layer)
 - Y** - Diameter of steel Bar

ELEVATED WATER TANK

High Level Water Tank of
40M3 Capacity (8M Height)

000

PROJECT
BOREHOLE REHABILITATION
WORKS



LOCATION
WASH SUPPORTED
BENEFICIARY SITES IN
SOMALIA

DESCRIPTION

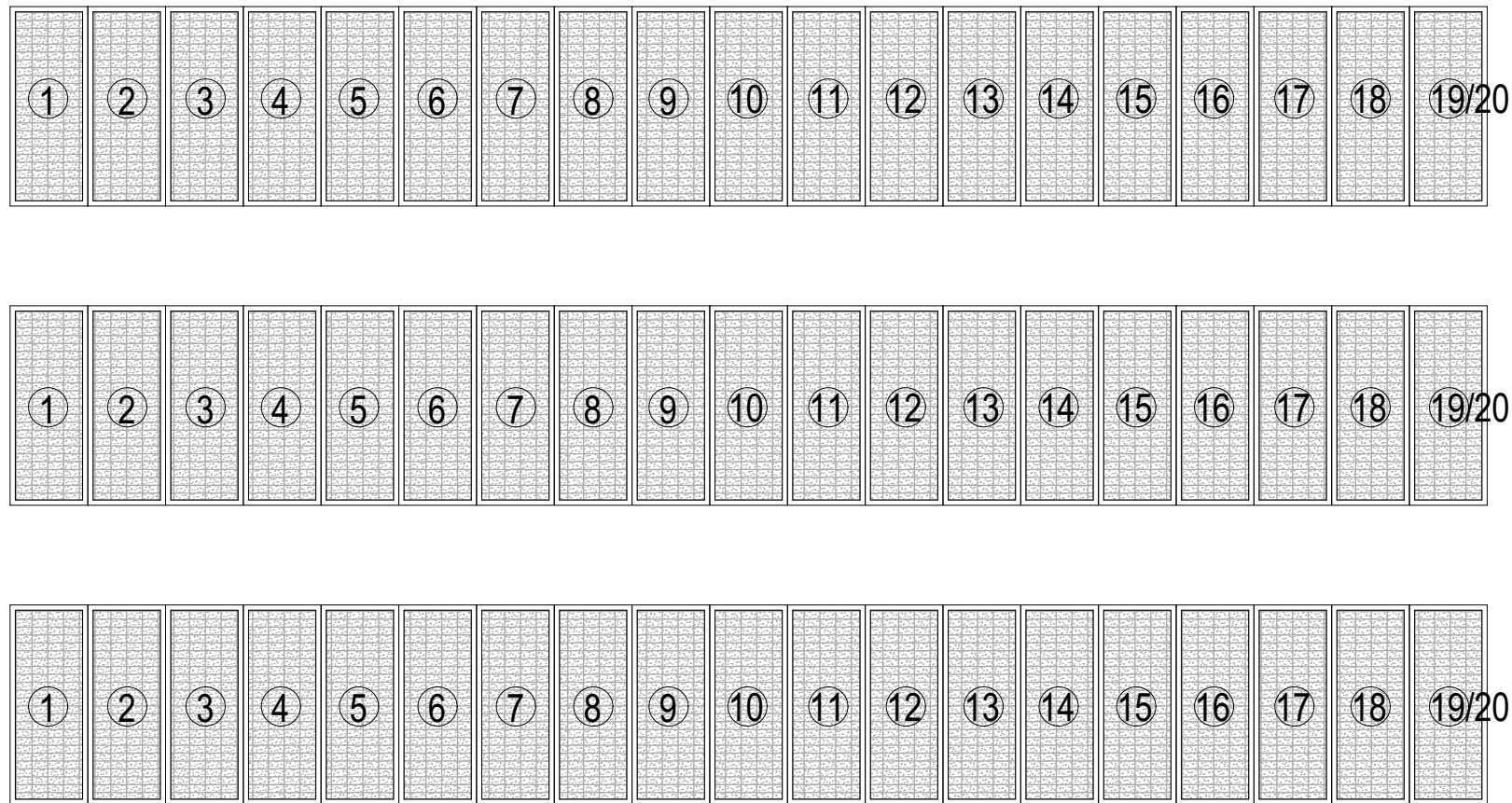
REV.	DESCRIPTION	DATE

STATUS	REHABILITATION WORKS
DATE	JUN 2020
DESIGNED BY:	ENG. WANJA D.
DRAWN BY :	ENG. WANJA D.
REVIEWED BY:	
APPROVED BY:	DR. O. KHYARE

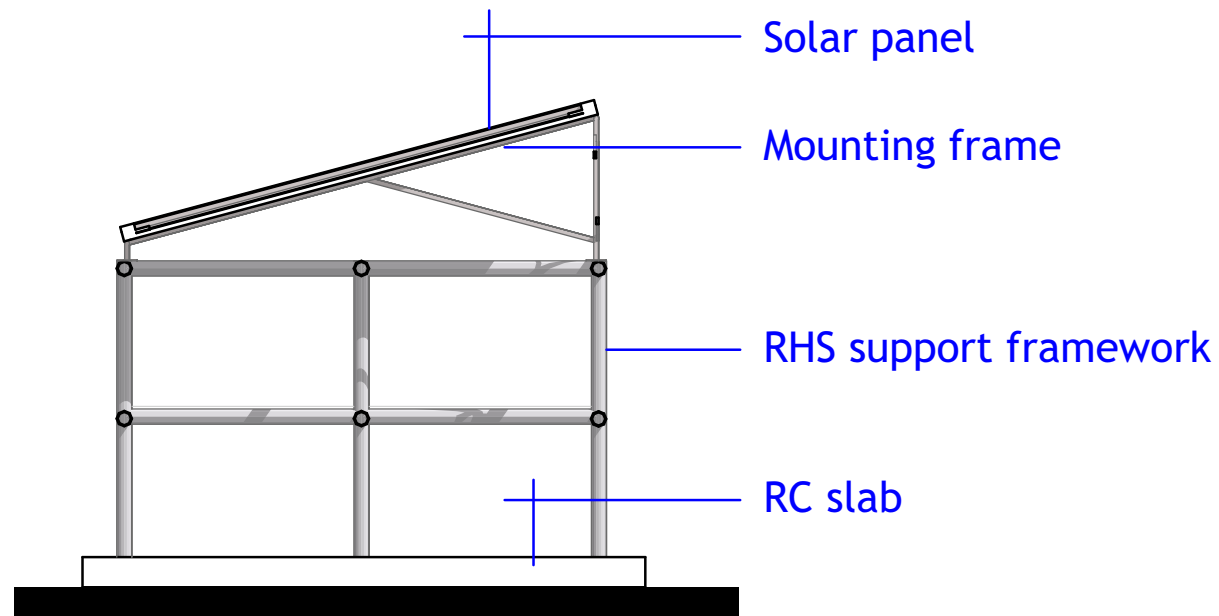
DRAWING TITLE:	Details
DRAWING N ^o :	
PROJECT N ^o :	

BOREHOLES

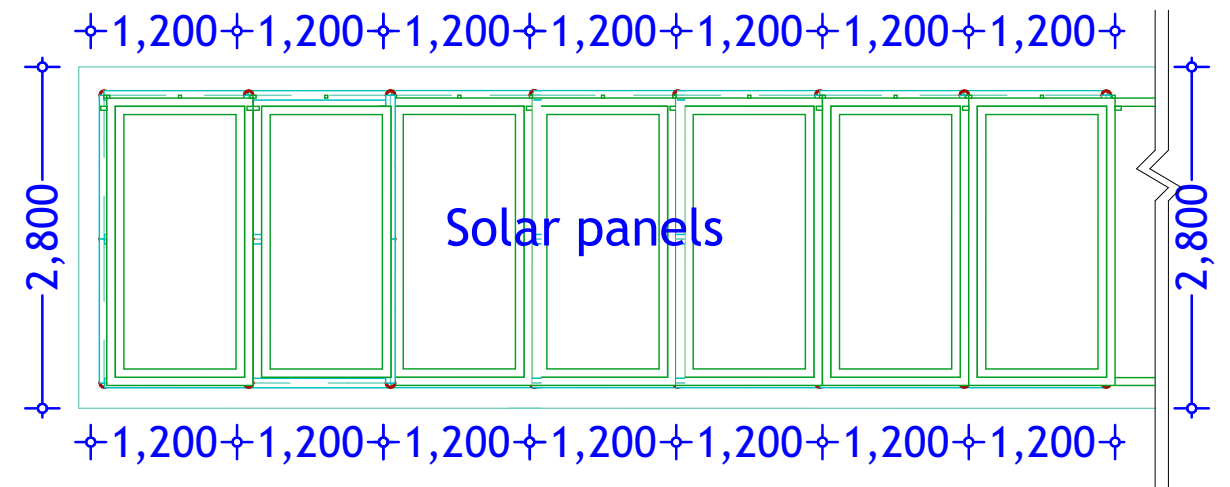
SHEET N^o:



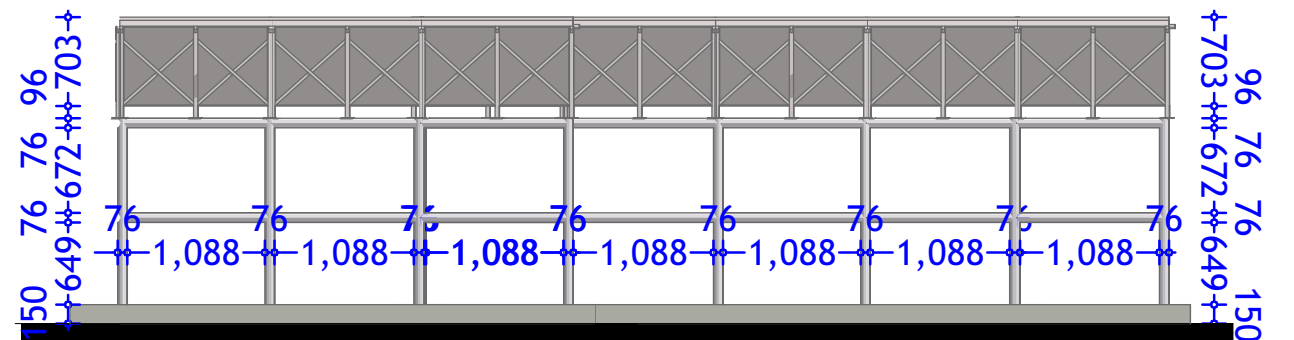
SOLAR PANEL LAYOUTS - THREE STRINGS



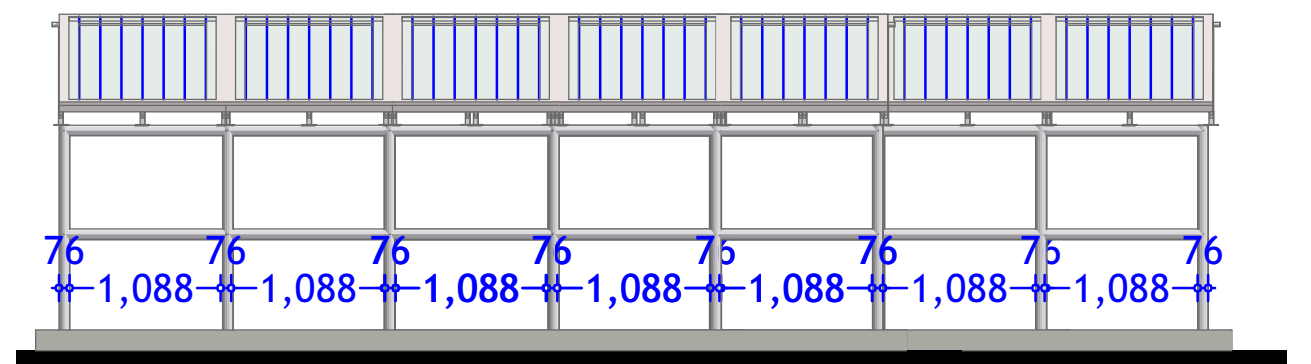
SOLAR STRUCTURE ELEVATION



TYPICAL 7 NO. PANEL LAYOUT



SOLAR STRUCTURE ELEVATION



SOLAR STRUCTURE ELEVATION

PROJECT
PROPOSED NEW BOREHOLE WORKS



LOCATION
WASH SUPPORTED BENEFICIARY SITES IN SOMALIA

DESCRIPTION

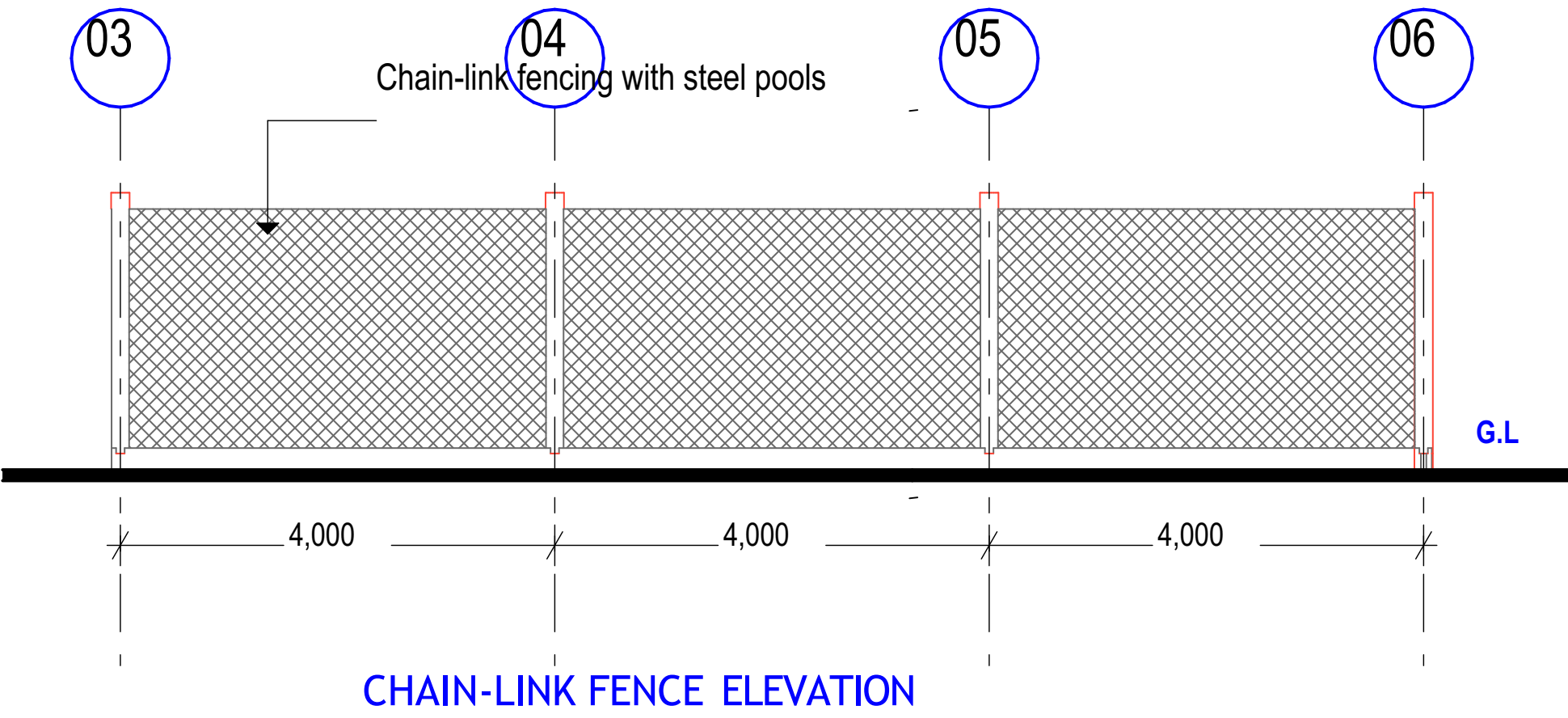
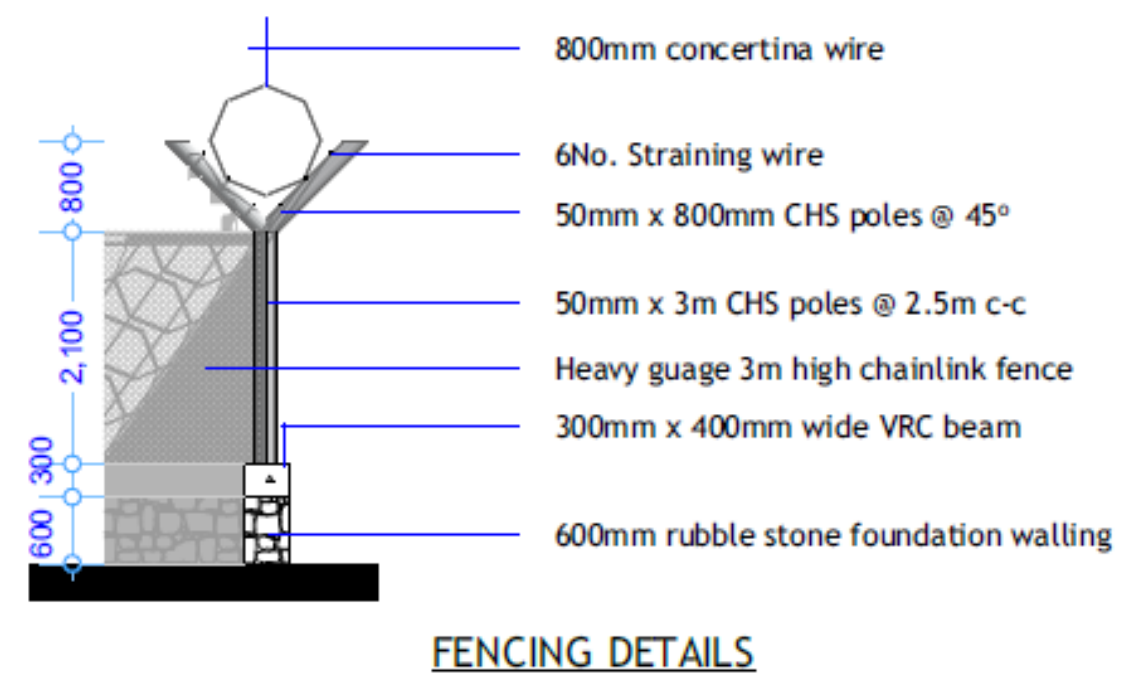
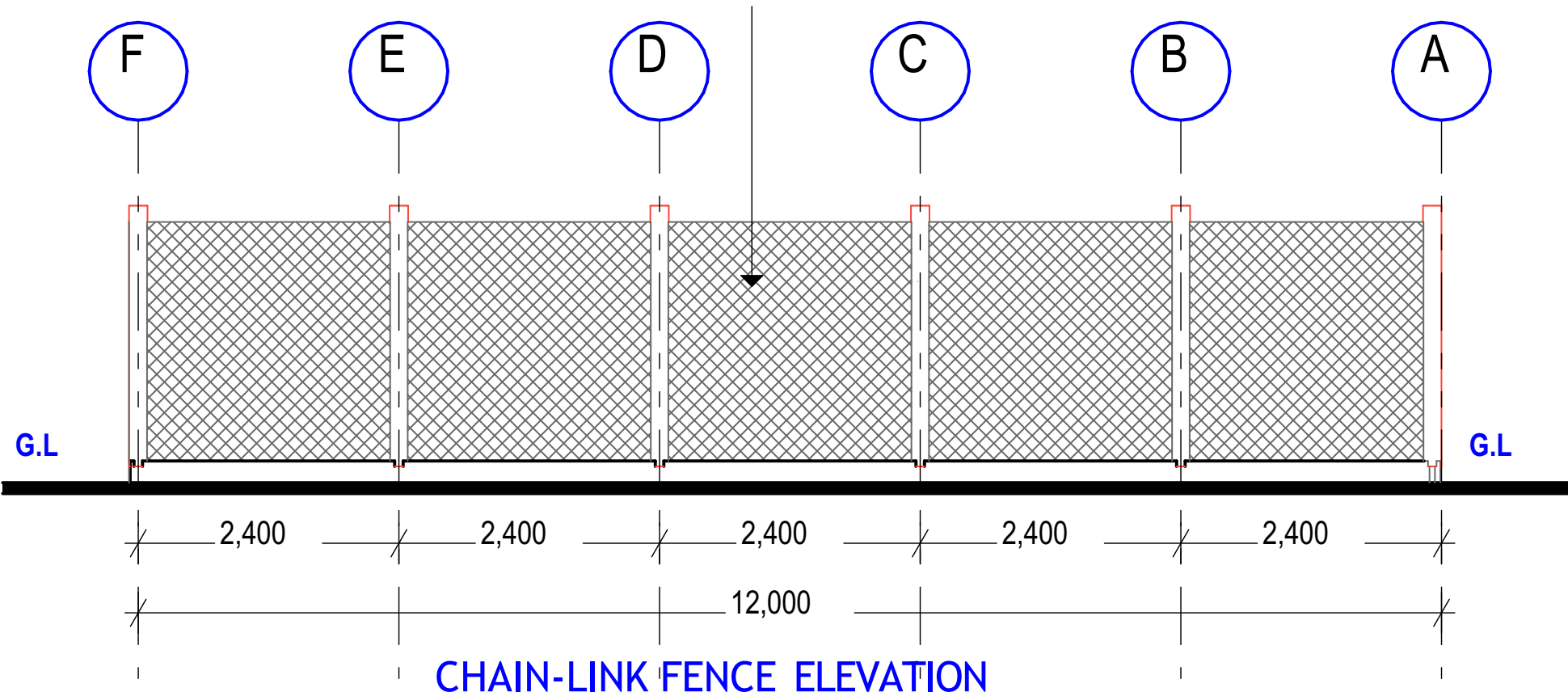
REV.	DESCRIPTION	DATE

STATUS	NEW CONSTRUCTION
DATE	JAN 2020
DESIGNED BY:	ENG. WANJA D.
DRAWN BY:	ENG. WANJA D.
REVIEWED BY:	
APPROVED BY:	DR. O. KHYARE

DRAWING TITLE:	Details
DRAWING N ^o :	
PROJECT N ^o :	

BOREHOLES

SHEET N^o:



<p>GENERAL NOTES</p> <ol style="list-style-type: none"> 1. All dimensions are in mm unless stated. 2. All dimensions to be checked and confirmed on site before commencement of any work. 3. Any discrepancy to be reported to the engineer promptly before proceeding. 	<p>PROJECT</p> <p>REHABILITATION WORKS</p>	<p>IMPLEMENTING AGENCY</p> <p>International Organization for Migration (IOM) The UN Migration Agency</p>	<p>DEPARTMENT</p> <p>WATER SANITATION AND HYGIENE WASH</p>	<table border="1" style="width: 100%; border-collapse: collapse;"> <tr><td>SCALE</td><td></td></tr> <tr><td>DATE</td><td>JUNE 2020</td></tr> <tr><td>DESIGNED BY:</td><td>ENG. Wanja.D</td></tr> <tr><td>DRAWN BY:</td><td>ENG. Wanja.D</td></tr> <tr><td>REVIEWED BY:</td><td></td></tr> <tr><td>APPROVED BY:</td><td></td></tr> </table>	SCALE		DATE	JUNE 2020	DESIGNED BY:	ENG. Wanja.D	DRAWN BY:	ENG. Wanja.D	REVIEWED BY:		APPROVED BY:		<table border="1" style="width: 100%; border-collapse: collapse;"> <tr><td>DRAWING TITLE:</td><td>SOLAR LAYOUT</td></tr> <tr><td>DRAWING N^o:</td><td></td></tr> <tr><td>PROJECT N^o:</td><td></td></tr> <tr><td>SHEET N^o:</td><td></td></tr> </table>	DRAWING TITLE:	SOLAR LAYOUT	DRAWING N^o:		PROJECT N^o:		SHEET N^o:	
SCALE																									
DATE	JUNE 2020																								
DESIGNED BY:	ENG. Wanja.D																								
DRAWN BY:	ENG. Wanja.D																								
REVIEWED BY:																									
APPROVED BY:																									
DRAWING TITLE:	SOLAR LAYOUT																								
DRAWING N^o:																									
PROJECT N^o:																									
SHEET N^o:																									